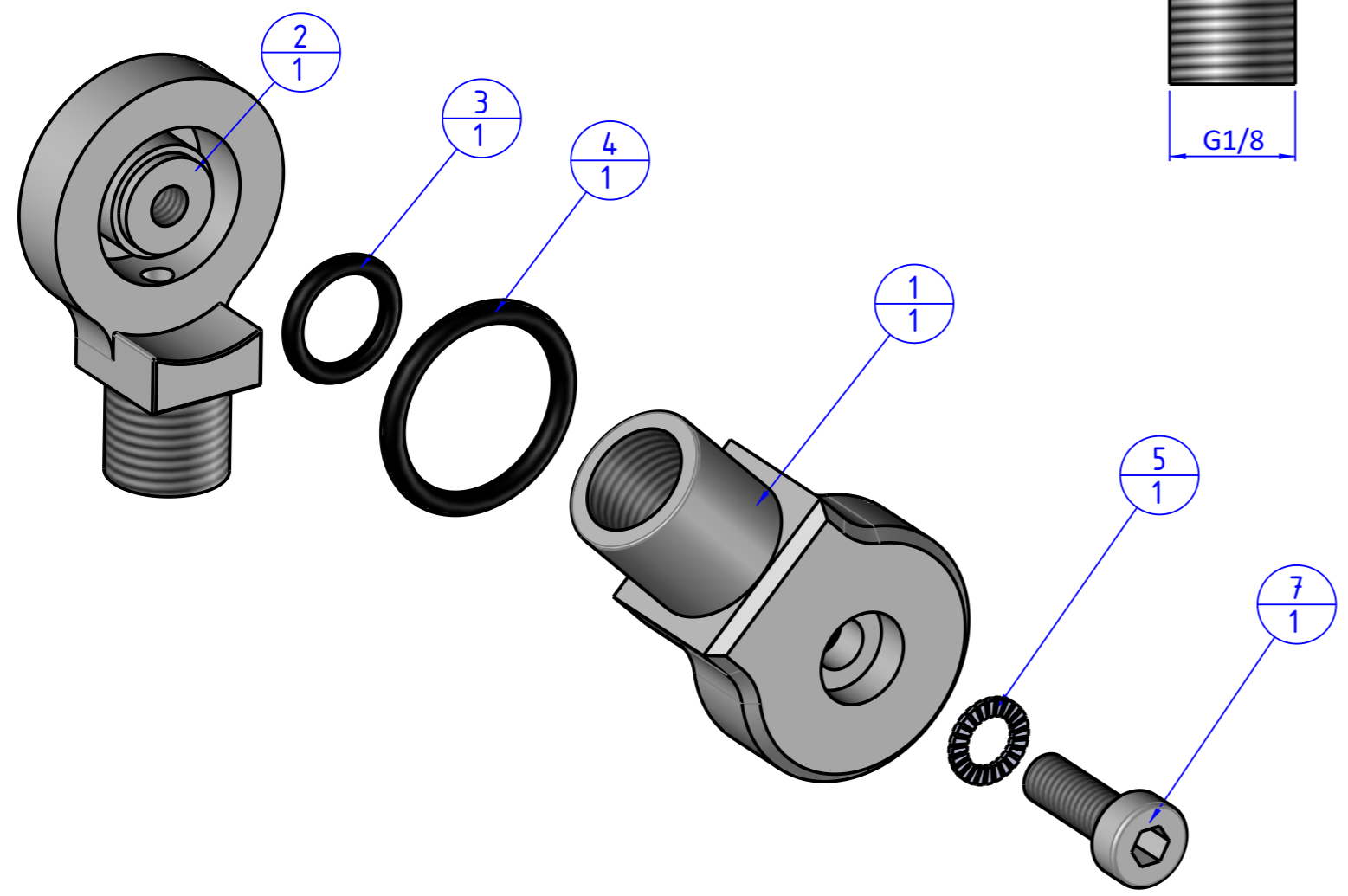
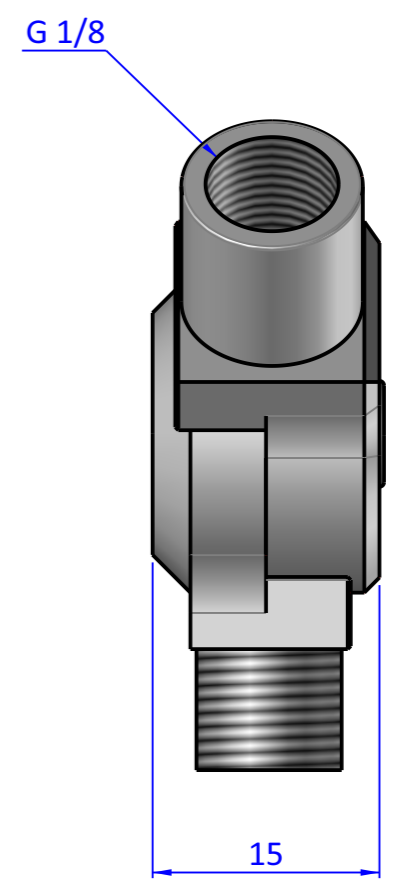
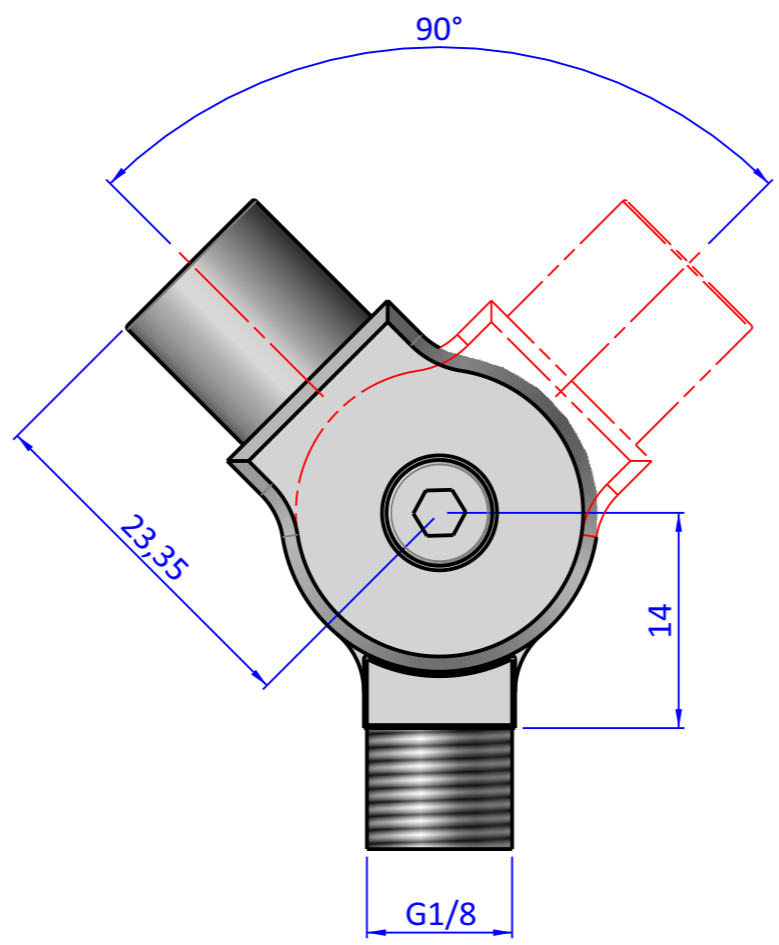



THE PROPERTY OF THE DRAWING IS ESTABLISHED BY LAW. IT IS FORBIDDEN TO PRODUCE OR SHOW IT TO THIRD PART WITHOUT A WRITTEN AGREEMENT.

Item	Name	Q.ty
1	07.01.001.1.AL	1
2	07.01.001.2.AL	1
3	OR.2018	1
4	OR.2056	1
5	R.4.SCH	1
7	V.TBCE4x12	1



Format A3  
UNI 936-76

 <b>FPS</b> FPSERVICES AUTOMATION		DESIGNED FROM <b>FPS Automation</b>		REVIEW <b>A</b>
		DATE <b>30/04/2026</b>	WEIGHT <b>0,017kg</b>	
GENERAL TOLERANCE UNI - ISO 2768 CLASSE f	DESCRIPTION <b>CA.07.01.001.AL</b>		CODE <b>CA.07.01.001.AL</b>	